



1 2-5 AND 5-12 PLAY EQUIPMENT
NOT TO SCALE



2 5-12 TREEHOUSE PLAY STRUCTURE
NOT TO SCALE



3 2-5 PLAY STRUCTURE
NOT TO SCALE



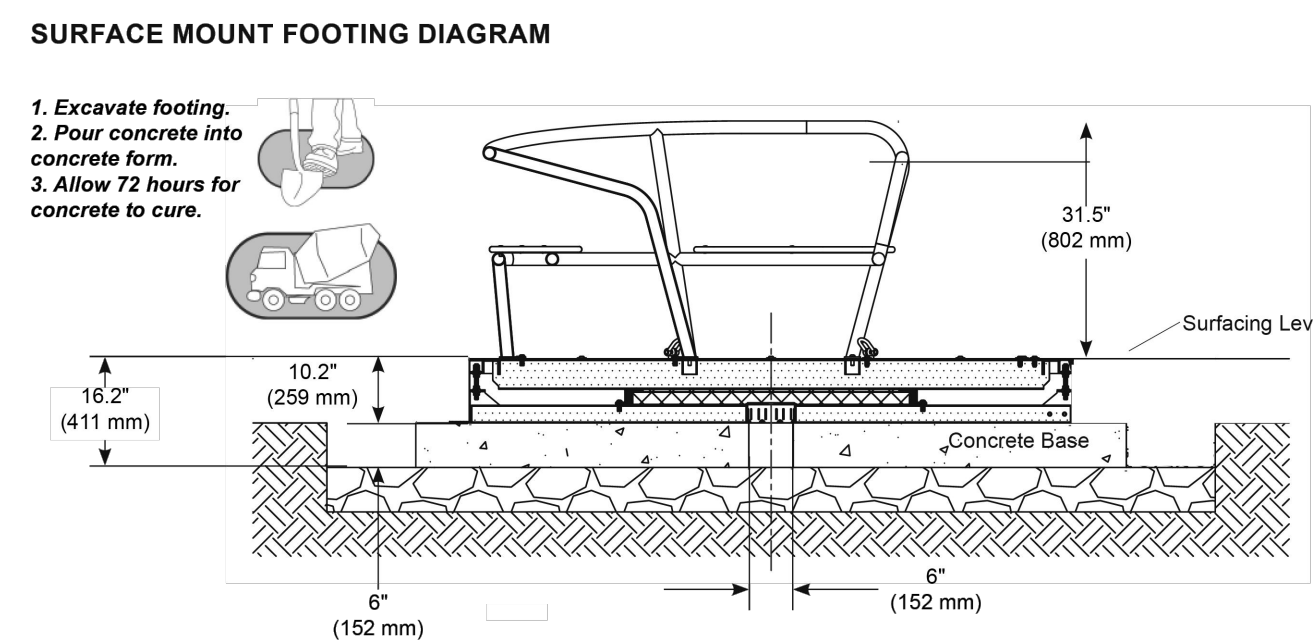
4 2-5 PLAY STRUCTURE AND PLAY MOUNDS
NOT TO SCALE



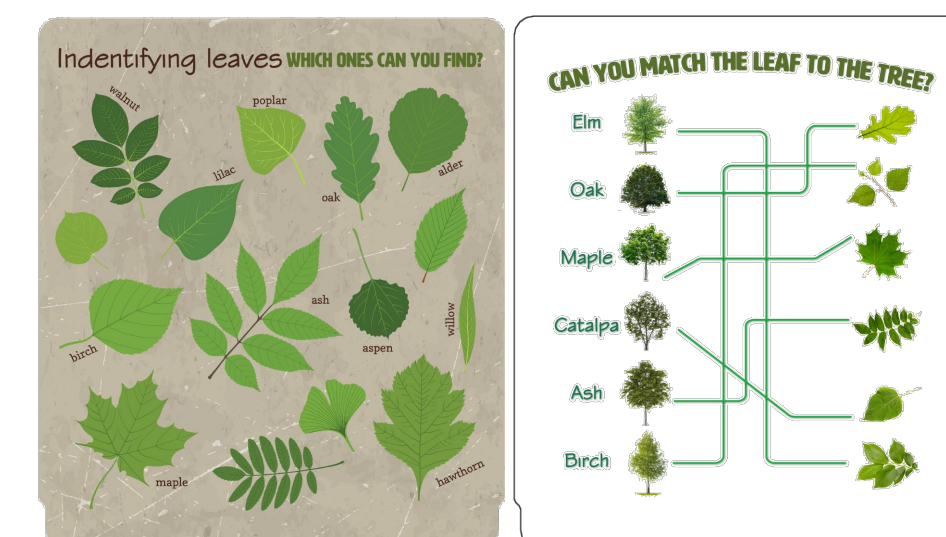
5 HILLSCAPE CLIMBERS WITH LINKED BALANCE BEAM & LEAF STEPPERS
NOT TO SCALE



6 3-BAY SWINGS
NOT TO SCALE



7 ACCESSIBLE WHIRL
NOT TO SCALE



8 CUSTOM PLAY PANELS
NOT TO SCALE



9 TRANSFER PLATFORM
NOT TO SCALE



310 29th Street
Boulder, CO 80305
p 720.212.8392
www.urbanplaystudio.com

DWG Title
PLAY
EQUIPMENT
DWG No.
PL-302

Revision:

Date	Comments	Init.
1/10/2024	60% CDs	
2/19/2024	90% CDs	
3/21/2024	100% CDs	

Thompson Park Renewal Longmont, Colorado

THIS DOCUMENT AND THE IDEAS AND DESIGNS INCORPORATED HEREIN AS AN INSTRUMENT OF PROFESSIONAL SERVICE IS THE PROPERTY OF CONFLUENT DESIGN AND IS NOT TO BE USED, IN WHOLE OR IN PART, FOR ANY OTHER PROJECT WITHOUT THE WRITTEN AUTHORIZATION OF CONFLUENT DESIGN.

1035 Coffman St., Suite 204
Longmont, CO 80501
303.709.6783 phone
confluentdesign.net



Sheet: